


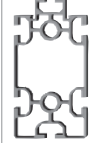
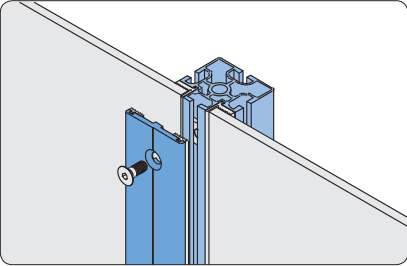
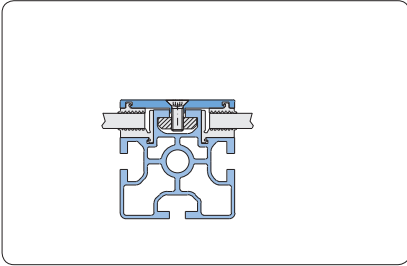

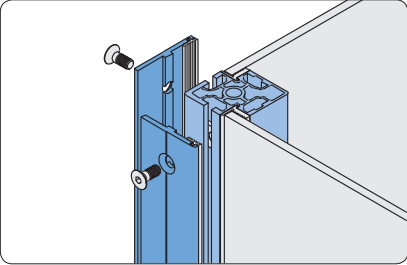
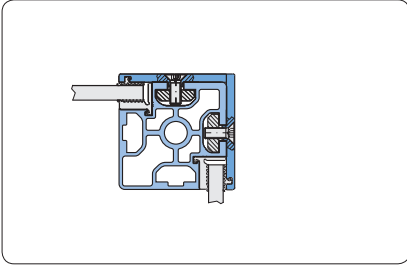

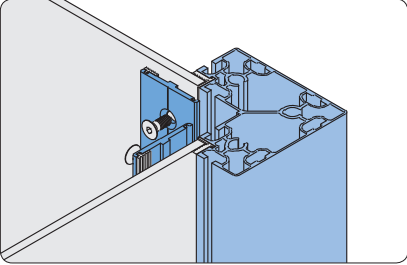
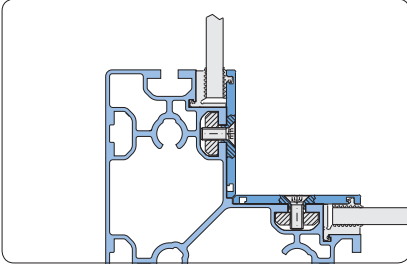
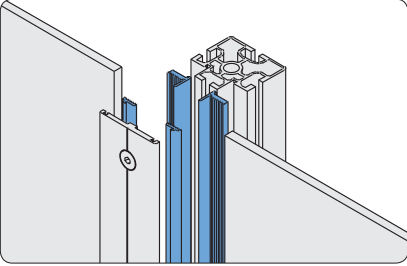
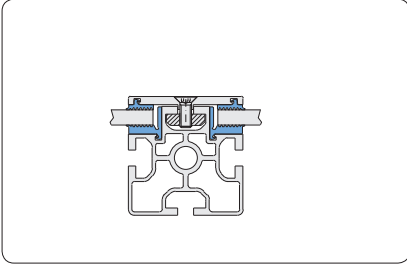

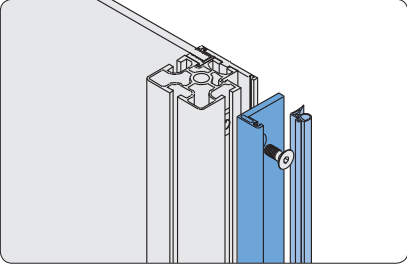
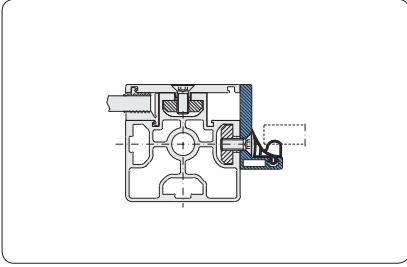



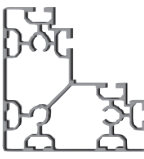

































» The Modular Wall System

English
1/2015





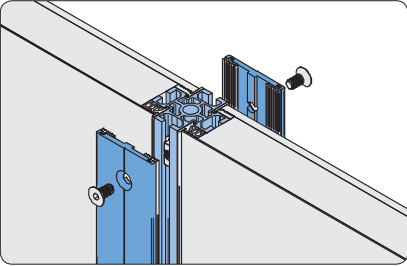
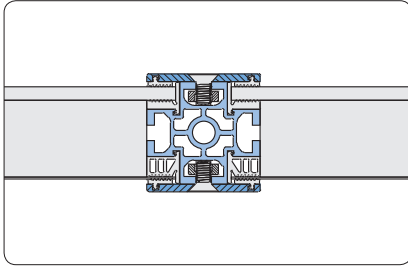
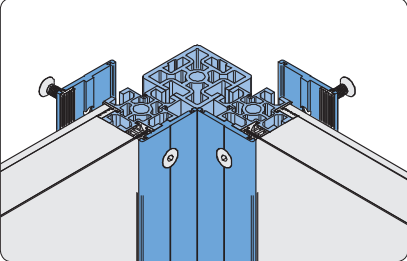
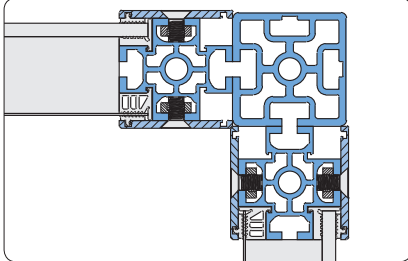
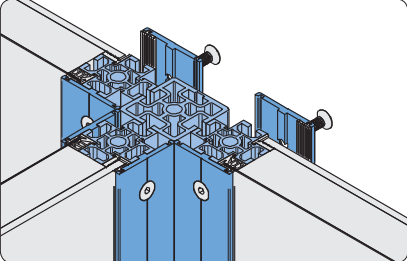
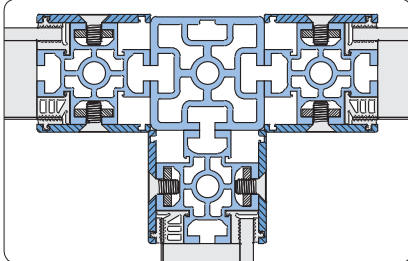
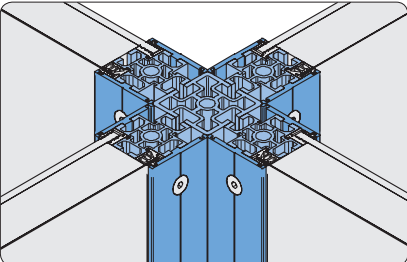
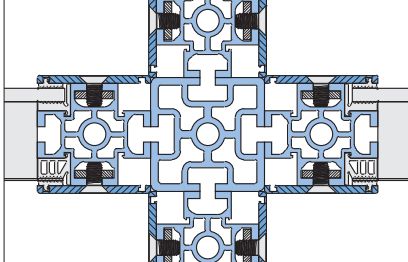
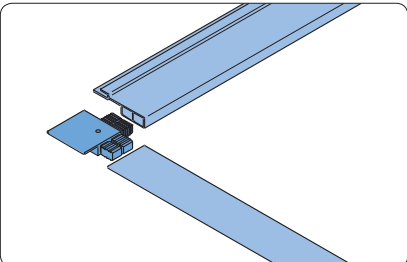
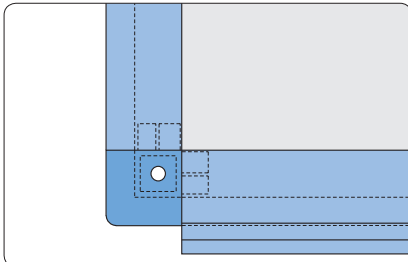
 MayTec®
















Single sided System

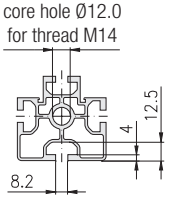
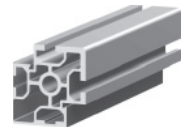
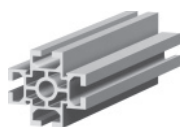
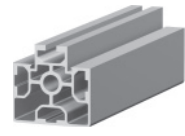
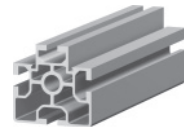
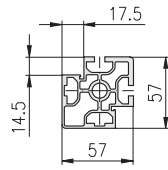
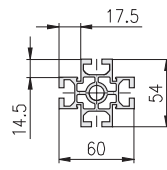
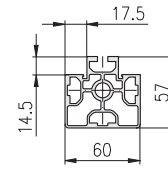
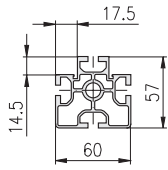
		Profile			
		57×57, 2E, corner, LP	60×57, 1E, LP	60×57, 4E, LP	60×117, 6E, LP
					
					
					
External corner					
					
Internal corner					
					
Intermediate element					
					
Door stop profile with door seal					

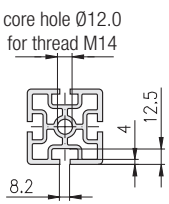
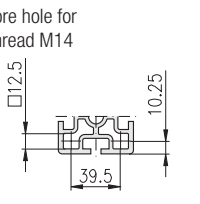
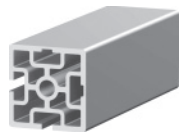
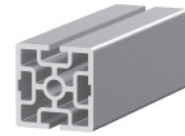
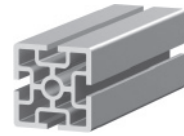
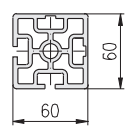
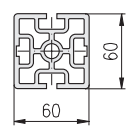
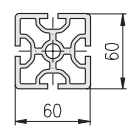
Profile 120×120, 4E, angle, LP	Compression profile				Seal for panel								Seal for compression profile	Door	
	57×4	61×4	60×4	60×4 with chamfer	2 mm	3 mm	4 mm	5 mm	6 mm	8 mm	10 mm		stop profile	seal	
															
															
															
															
															
															

Double sided System

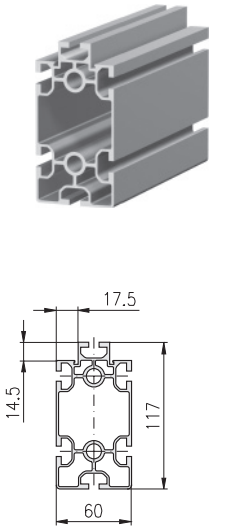
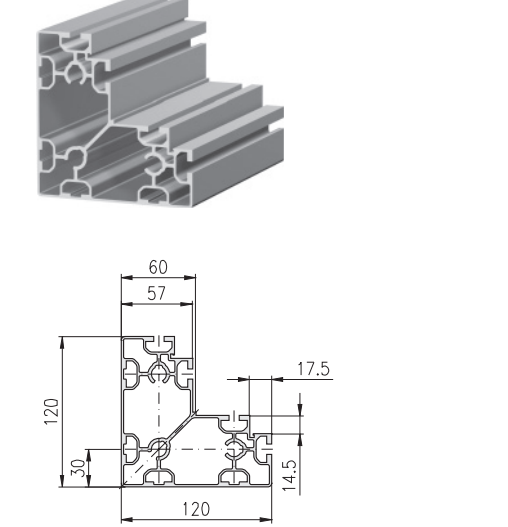
		Profile			
		60×54, 2E, LP	60×60, 2E, corner, SP	60×60, 2E, SP	60×60, 4E, SP
					
		●			
		●	●		
Internal corner, external corner					
		●		●	
T-connection					
		●			●
Cross connection					
					
Ceiling frame profile with corner piece 40×10					




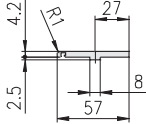
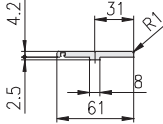
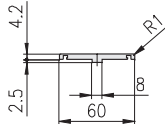
Compression profile				Seal for panel							Seal for compression profile	Ceiling frame profile		Corner piece
57×4	61×4	60×4	60×4 with chamfer	2 mm	3 mm	4 mm	5 mm	6 mm	8 mm	10 mm		type A	type B	
														
		●		●					●		●			
		●	●	●					●		●			
		●	●	●					●		●			
			●	●					●		●			
												●	●	●


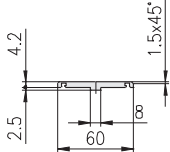
light				
				
				
Description	Profile 57×57, 2E, corner, LP	Profile 60×54, 4E, LP	Profile 60×57, 1E, LP	Profile 60×57, 4E, LP
bar, 6 m	10.11.057057.22LP.60	10.11.060054.44LP.60	10.11.060057.14LP.60	10.11.060057.44LP.60
packing unit (number)	10.11.057057.22LP.61 (6)	10.11.060054.44LP.61 (6)	10.11.060057.14LP.61 (6)	10.11.060057.44LP.61 (6)
moment of inertia cm ⁴	$I_x = 36.2$ $I_y = 36.2$	$I_x = 22.8$ $I_y = 17.7$	$I_x = 26.7$ $I_y = 31.5$	$I_x = 25.7$ $I_y = 29.0$
moment of resistance cm ³	$W_x = 12.1$ $W_y = 12.1$	$W_x = 7.6$ $W_y = 5.9$	$W_x = 8.9$ $W_y = 10.5$	$W_x = 8.6$ $W_y = 9.7$
weight kg/m	$G = 2.7$	$G = 2.4$	$G = 2.6$	$G = 2.5$


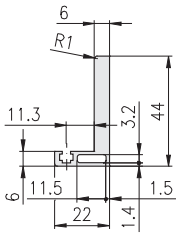
heavy				
 				
				
Description	Profile 60×60, 2E, corner, SP		Profile 60×60, 2E, SP	Profile 60×60, 4E, SP
bar, 6 m	1.11.060060.22SP.60		1.11.060060.23SP.60	1.11.060060.43SP.60
packing unit (number)	1.11.060060.22SP.61 (6)		1.11.060060.23SP.61 (6)	1.11.060060.43SP.61 (6)
moment of inertia cm ⁴	$I_x = 57.2$ $I_y = 57.2$		$I_x = 55.9$ $I_y = 58.5$	$I_x = 56.0$ $I_y = 56.0$
moment of resistance cm ³	$W_x = 19.1$ $W_y = 19.1$		$W_x = 18.6$ $W_y = 19.5$	$W_x = 18.7$ $W_y = 18.7$
weight kg/m	$G = 4.1$		$G = 4.3$	$G = 4.2$



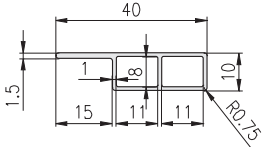
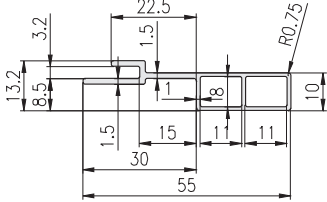
machining data  Profile machining 1.1A (Catalogue "The Profile System")

			
<p>Profile 60×117, 6E, LP</p>	<p>Profile 120×120, 4E, angle, LP</p>		
<p>10.11.060117.64LP.60</p>	<p>10.11.120120.47LP.60</p>		
<p>10.11.060117.64LP.61 (3)</p>	<p>10.11.120120.47LP.61 (2)</p>		
<p>$I_x = 219.7$ $I_y = 57.4$ $W_x = 39.3$ $W_y = 19.1$ $G = 4.0$</p>	<p>$I_x = 210.0$ $I_y = 210.0$ $W_x = 36.2$ $W_y = 36.2$ $G = 5.7$</p>		

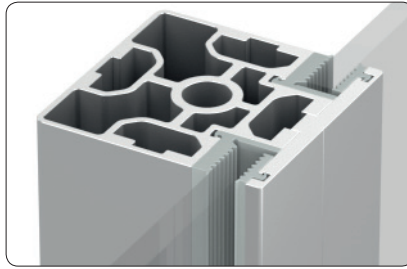
Compression profiles				
Technical data material: Al Mg Si 0.5 F25 tensile strength: 250 N/mm ² surface: natural anodised				
				
	Description	Compression profile 57×4	Compression profile 61×4	Compression profile 60×4
	bar, 6 m	10.19.1101.5704.60	10.19.1101.6104.60	10.19.1102.6004.60
cut to length	10.19.1101.5704-A00A00/□□□□mm	10.19.1101.6104-A00A00/□□□□mm	10.19.1102.6004-A00A00/□□□□mm	
weight	kg/m	G = 0.67	G = 0.72	G = 0.68

Compression profile		
Technical data material: Al Mg Si 0.5 F25 tensile strength: 250 N/mm ² surface: natural anodised		
		
	Description	Compression profile 60×4 with chamfer
	bar, 6 m	10.19.1102.6004B.60
cut to length	10.19.1102.6004B-A00A00/□□□□mm	
weight	kg/m	G = 0.67

Door stop profile		
Technical data material: Al Mg Si 0.5 F25 tensile strength: 250 N/mm ² surface: natural anodised		
		
	Description	Door stop profile
	bar, 6 m	10.19.1201.4422.60
cut to length	10.19.1201.4422-A00A00/□□□□mm	
weight	kg/m	G = 0.81

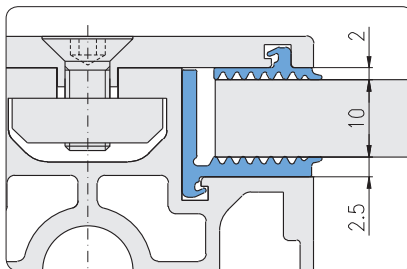
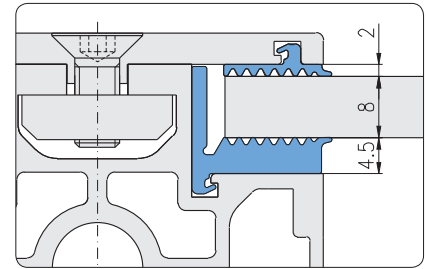
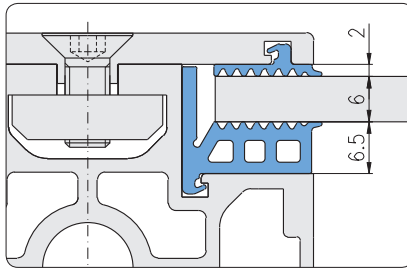
Ceiling frame profiles			
Technical data material: Al Mg Si 0.5 F25 tensile strength: 250 N/mm ² surface: natural anodised			
			
	Description	Ceiling frame profile type A 40×10	Ceiling frame profile type B 55×13
	bar, 6 m	10.19.1424010.60	10.19.1425513.60
cut to length	10.19.1424010-A00A00/□□□□mm	10.19.1425513-A00A00/□□□□mm	
weight	kg/m	G = 0.26	G = 0.37

Seals



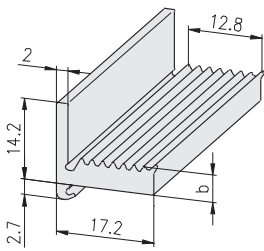
Application

Seals for windows or panel elements



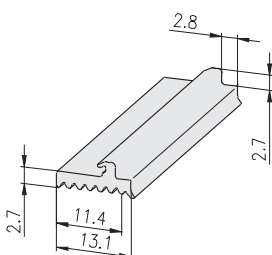
Technical data

length of ring: 100 m
 material: EPDM, 60° ± 5° Shore A
 • free of silicon
 • compatible with acrylic glass
 • water resistant
 colour: grey, similar to RAL 7035



Description	b		Weight	Article-No.
Seal for panel 2 mm	10.9	ring	19.8 kg/ring	10.41.7102.7035.99
Seal for panel 2 mm	10.9	cut to length	198 g/m	10.41.7102.7035-A00A00/...
Seal for panel 3 mm	9.9	ring	17.9 kg/ring	10.41.7103.7035.99
Seal for panel 3 mm	9.9	cut to length	179 g/m	10.41.7103.7035-A00A00/...
Seal for panel 4 mm	8.9	ring	17.0 kg/ring	10.41.7104.7035.99
Seal for panel 4 mm	8.9	cut to length	170 g/m	10.41.7104.7035-A00A00/...
Seal for panel 5 mm	7.9	ring	16.4 kg/ring	10.41.7105.7035.99
Seal for panel 5 mm	7.9	cut to length	164 g/m	10.41.7105.7035-A00A00/...
Seal for panel 6 mm	6.9	ring	15.3 kg/ring	10.41.7106.7035.99
Seal for panel 6 mm	6.9	cut to length	153 g/m	10.41.7106.7035-A00A00/...
Seal for panel 8 mm	4.8	ring	14.1 kg/ring	10.41.7108.7035.99
Seal for panel 8 mm	4.8	cut to length	141 g/m	10.41.7108.7035-A00A00/...
Seal for panel 10 mm	2.7	ring	9.3 kg/ring	10.41.7110.7035.99
Seal for panel 10 mm	2.7	cut to length	93 g/m	10.41.7110.7035-A00A00/...

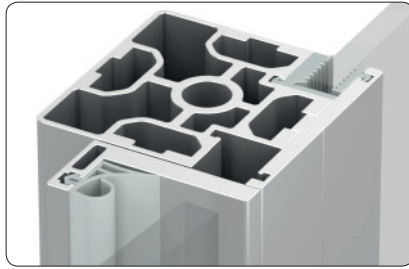
/... = length in mm



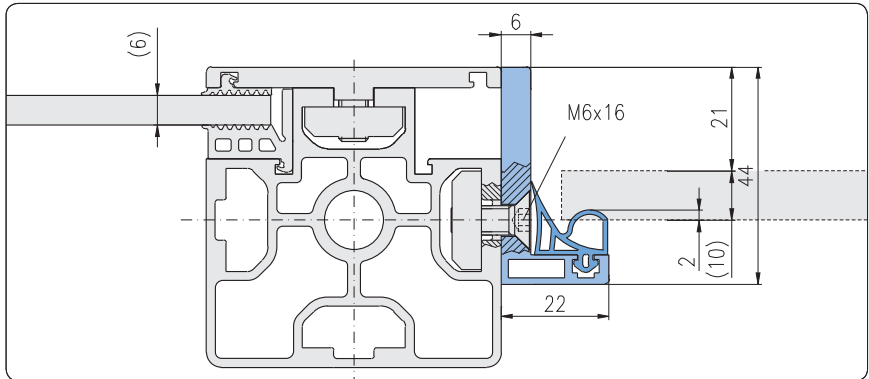
Description		Weight	Article-No.
Seal for compression profile	ring	5.1 kg/ring	10.41.7201.7035.99
Seal for compression profile	cut to length	51 g/m	10.41.7201.7035-A00A00/...

/... = length in mm

Door seal

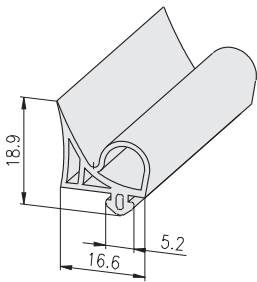


Application
For sealing doors



Technical data

length of ring: 100 m
 material: EPDM, 60° ± 5° Shore A
 • free of silicon
 • compatible with acrylic glass
 • water resistant
 colour: grey, similar to RAL 7035



Description

Weight Article-No.

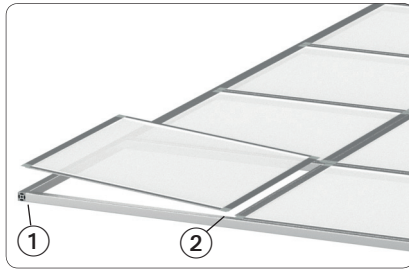
Door seal	ring	11,4 kg/ring	10.41.8115.7035.99
Door seal	cut to length	114 g/m	10.41.8115.7035-A00A00/... /... = length in mm

Corner piece 40×10
for ceiling frame profile

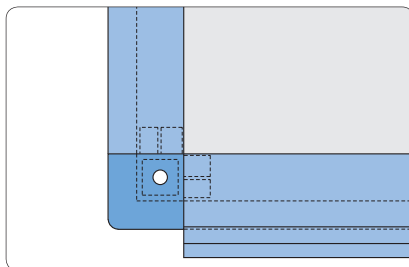
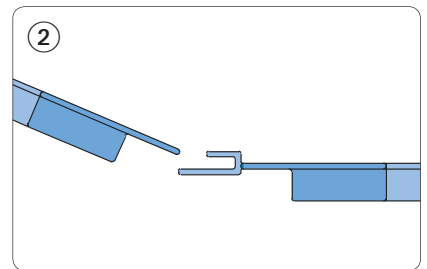
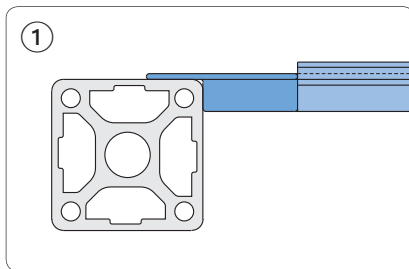
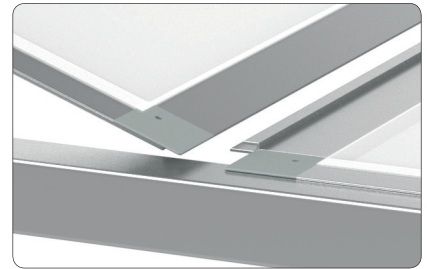


Application

Connection for ceiling frame profile



Ceiling element



Corner piece

Technical data

material: PA - GF

colour: grey, similar to RAL 7035

Description

Corner piece 40×10

Weight

16 g

Article-No.

10.81.24010

The key ...

to success

extremely strong

efficient

functional

Australia

MayTec Australia P/L

Unit 8, 175 James Ruse Drive
Rosehill, NSW 2142

country code: +61
phone (0)2/98989929
fax (0)2/96384086
e-mail: info@maytec.com.au
<http://www.maytec.com.au>

Germany

MayTec Aluminium
Systemtechnik GmbH
Kopernikusstraße 20
D-85221 Dachau

country code: +49
phone (0)8131/3336-0
fax (0)8131/3336-119
e-mail: mail@maytec.de
<http://www.maytec.de>

USA

MayTec Inc.

901 Wesemann Drive
West Dundee, IL 60118

country code: +1
phone 847-429-0321
fax 847-429-0460
e-mail: mail@maytecinc.com
<http://www.maytecinc.com>

MayTec distributor

Imprint

Subject to technical modification.
All rights reserved.
Copying - also in parts - only allowed by
written consent.
© MayTec Aluminium Systemtechnik GmbH,
Germany, D - 85221 Dachau, 2015